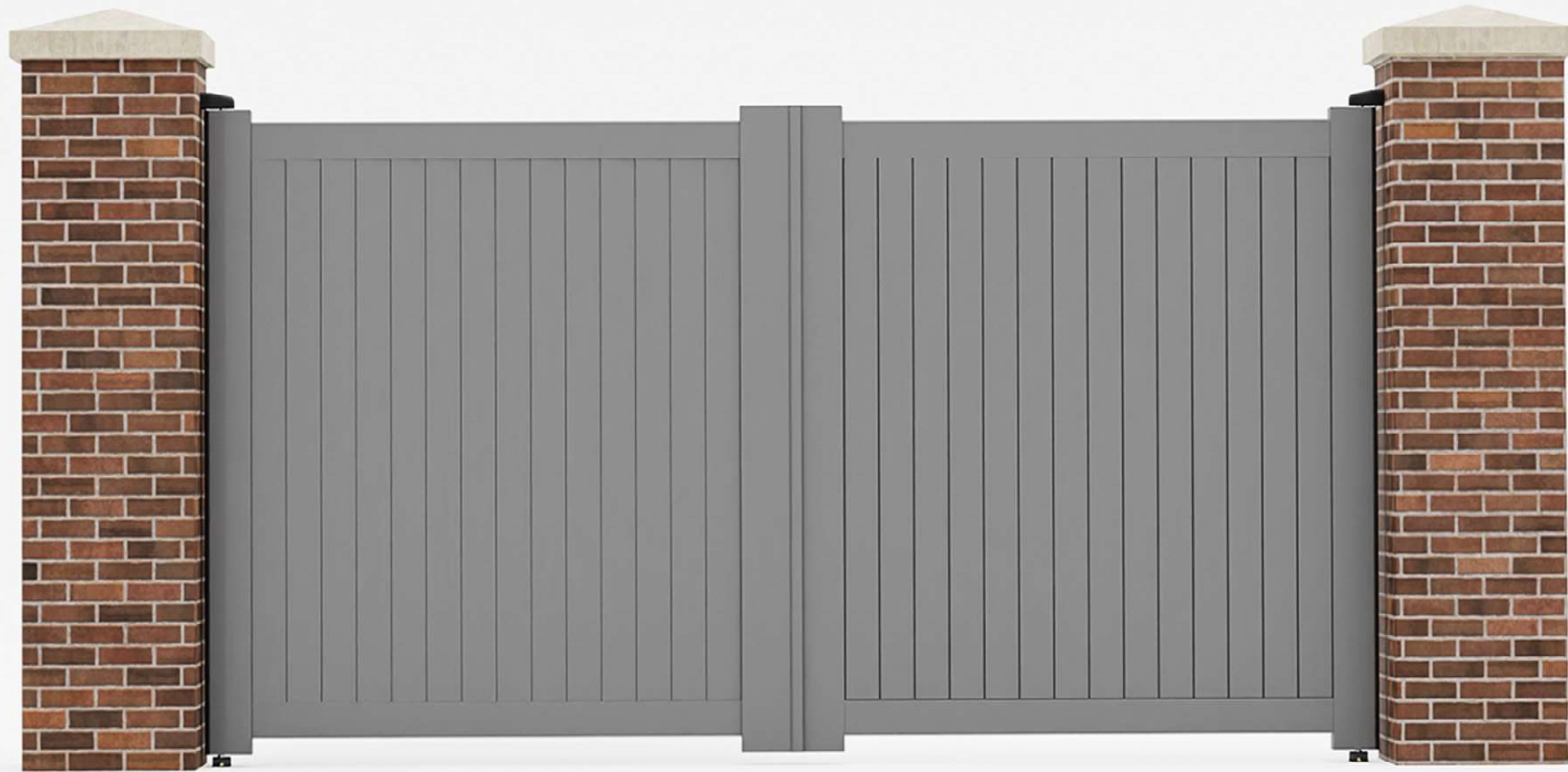
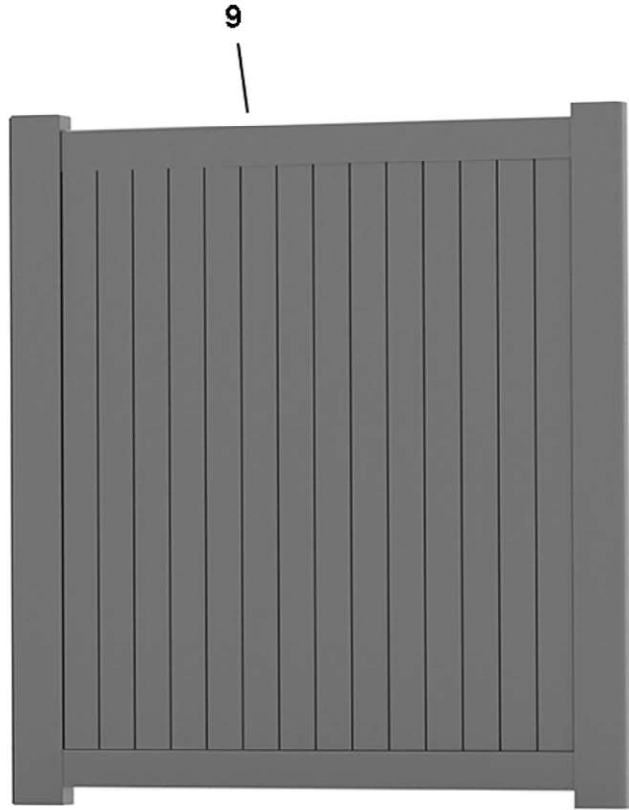
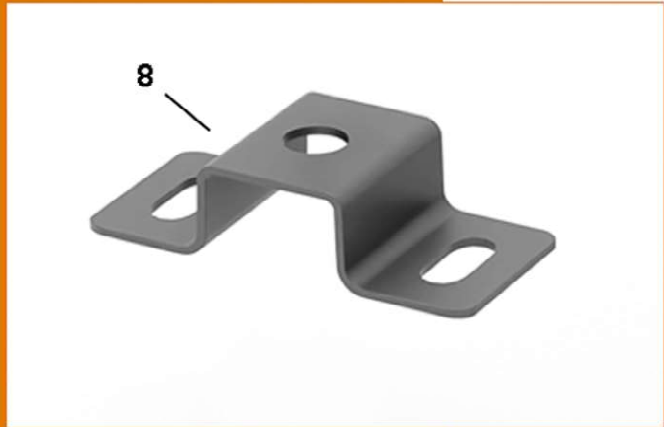
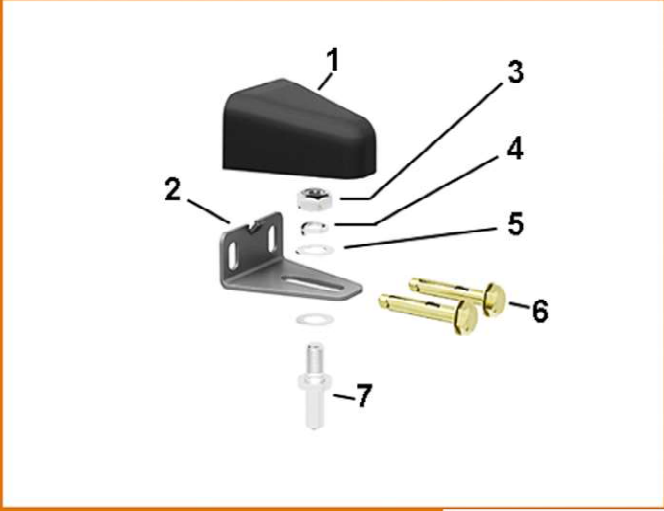


WALL MOUNTED DOUBLE GATE





	DESCRIPTION	QTY
1	HINGE COVER	4
2	HINGE BRACKET	4
3	M12 HINGE NUT	4
4	SPRING WASHER	4
5	M12 WASHER	4
6	ANCHOR BOLTS	8
7	HINGE SPIGOT	4
8	FLOOR BRACKET	2
9	READY MADE DOUBLE GATE	2

1: CHECK GATE WIDTH





NOTES

- 2 X PLACES
- 10MM DRILL





3: PRE-ASSEMBLE LOWER SPIGGOT

**M10 BOLTS
2 x PLACES**



4: FIX LOWER HINGE TO FLOOR

5: LOAD GATE - HOLD SQUARE



TWO PERSON LIFT ADVISED

6: ASSEMBLE UPPER SPIGOT



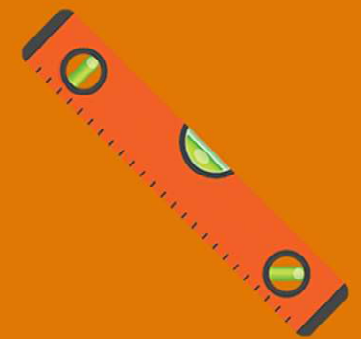
NOTES

- OPPOSITE TO LOWER BRACKET

7: MARK UPPER BRACKET

NOTES

- HOLD GATE SQUARE
- MARK 2 X PLACES





8: DRILL HOLES x 2



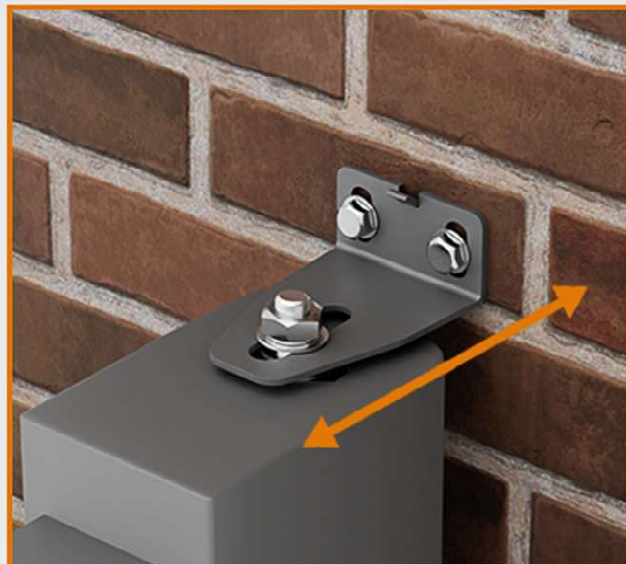
NOTES

- 10MM DRILL
- 50MM MIN DEPTH



9: FIX UPPER HINGE

**REPEAT
STEP 2 TO 9
FOR LH GATE**



2 X PLACES

10MM GAP

11: ADJUST UPPER HINGES





12: FIT COVERS - 2 X PLACES

PROJECT COMPLETE

